



Track Shuffleboard Table

user manual
manual de usuario

assembly instructions-care and maintenance | instrucciones de montaje-cuidado y mantenimiento

In a world full of options, we wanted to take a moment and say thanks for choosing us.

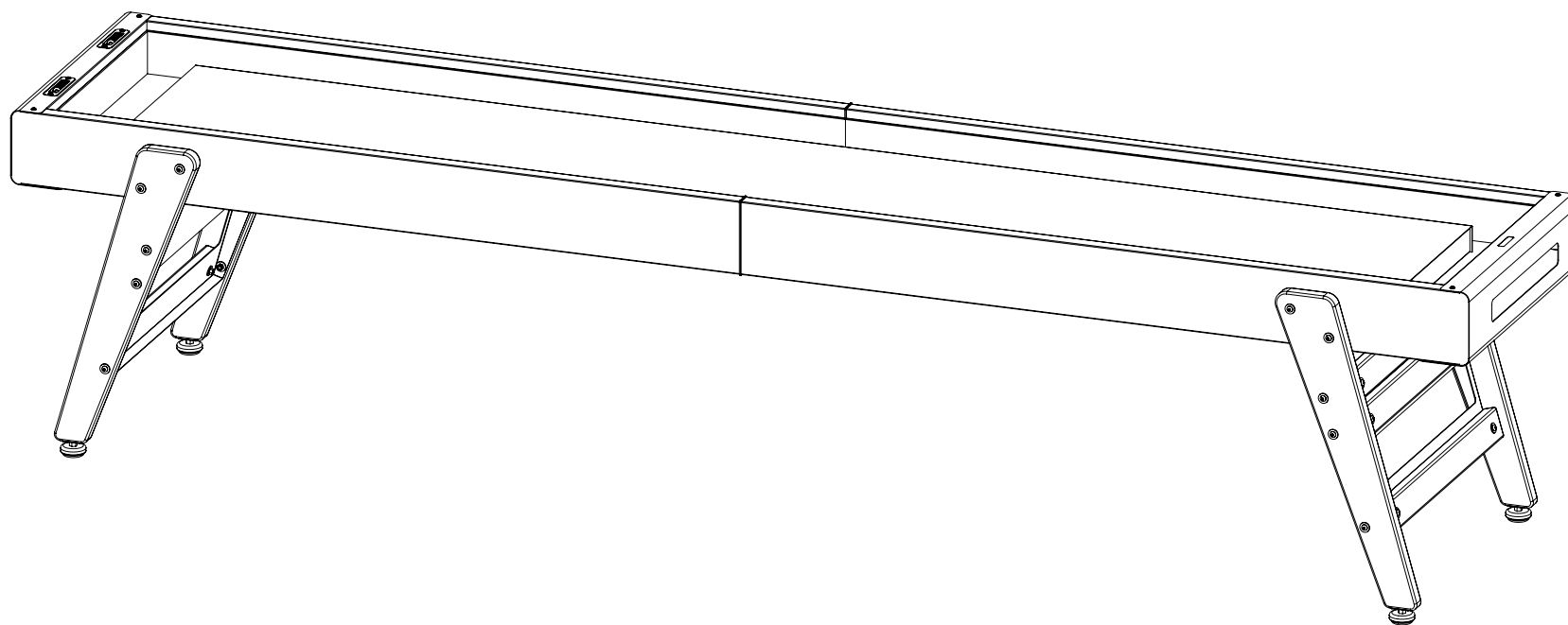
We hope you enjoy it and spend many intense living moments with it and your loved ones.

Take a picture with your product, post it on Instagram with #rsbarcelonacrew hashtag, follow us on our social media and we will send you a little gift.

En un mundo lleno de opciones, queremos parar un momento y darte las gracias por elegirnos.

Esperamos que lo disfrutes y que pases con él y los tuyos muchos momentos intense living. Hazte una foto con tu producto, súbela a Instagram, etiquétala con el hashtag #rsbarcelonacrew, síguenos en nuestras redes sociales y te mandaremos un pequeño obsequio.

track shuffleboard table



included pieces

piezas incluidas

assembly tools | herramientas montaje

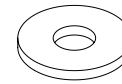


x 1
ALLEN #5

screws | tornillos



x 7 u
M8 nuts |
tuerca ciega*



x 23 u
M8 washers |
arandelas*

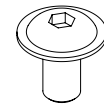
(14 of them come
in a box |
14 vienen en caja)



x 6 u
M6 X 30 mm
screws | tornillos



x 8 u
M8 X 50 mm
screws | tornillos

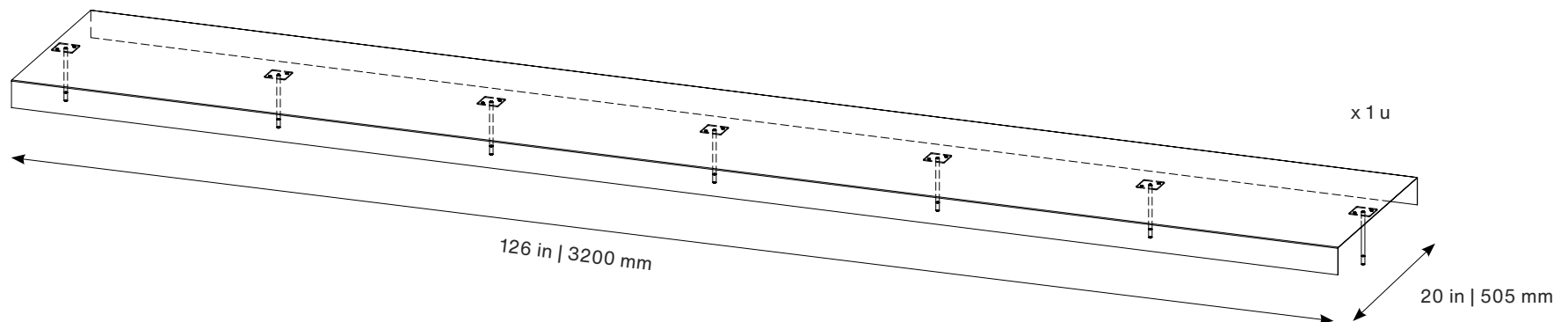


x 30 u
M8 X 16 mm
screws | tornillos

Find all the screws, nuts and washers attached to the frame pieces, except the ones marked with an asterisk, these will come in a separated box.

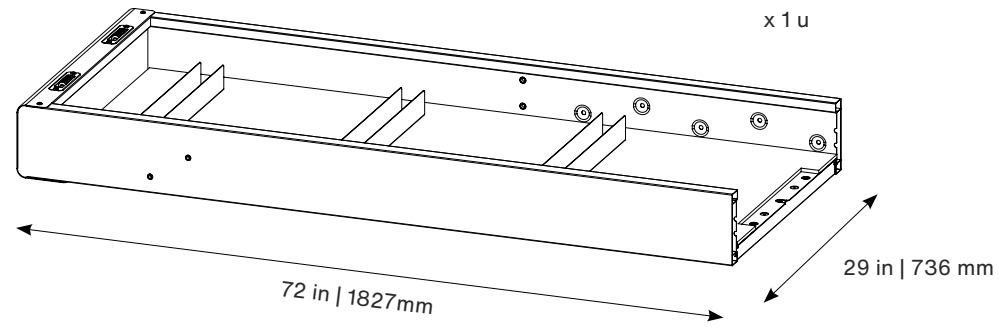
Todos los tornillos y arandelas están atornillados a las piezas de la estructura, excepto aquellos marcados con un asterisco, los cuales vienen en una caja a parte.

playing field | terreno de juego

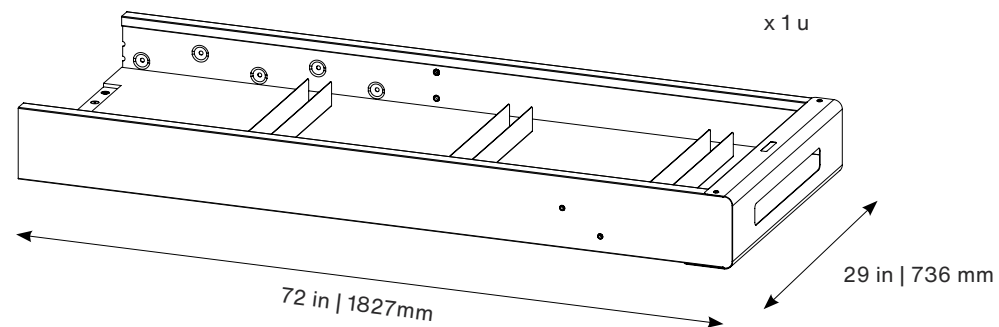


included pieces

shufflebaord frame A | estructura shuffleboard A

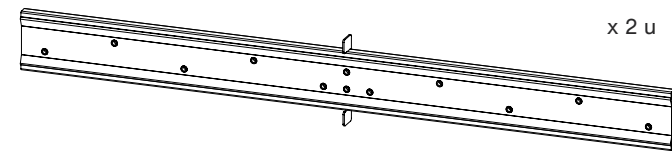


shufflebaord frame B | estructura shuffleboard B

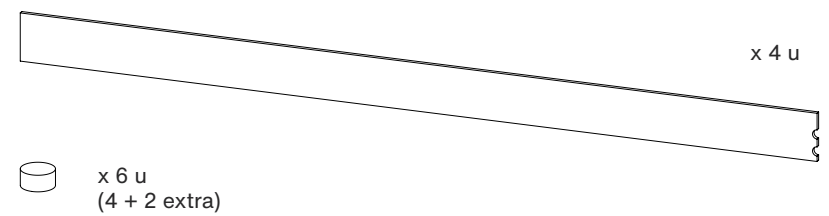


piezas incluidas

frame ribs | costillas estructurales

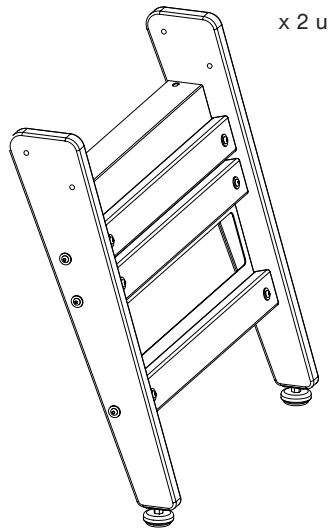


inner side lining + trims | revestimiento interior + embellecedores



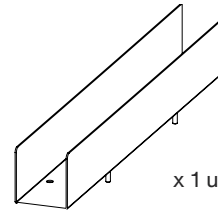
included pieces

leg set | conjunto patas

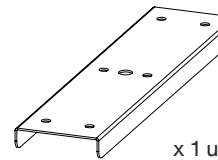


piezas incluidas

central rib | costilla central



reinforcing frame piece | pieza refuerzo estructura



Included accessories | Accesorios incluidos

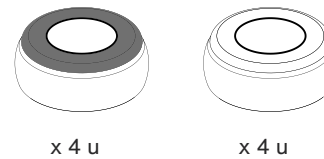
Playing set:

- shuffleboard powder
- silicon spray and cleaner spray

Set para el juego:

- cera en polvo
- spray de silicona y spray limpiador

shuffleboard pucks | pucks de shuffleboard



attention!

¡atención!



4 people | 4 personas



Estimated assembly time: 45 minutes | Tiempo estimado de montaje: 45 minutos

- Check that the assembly kit is complete. Otherwise, contact the manufacturer or seller before use.
 - All parts included with the shuffleboard are to be used. No extras are included.
 - Do not try to assemble the shuffleboard on your own, you will need help to fix it.
 - Keep all packaging items until the product is fully assembled.
-
- Revisa que el kit de montaje esté completo. En caso contrario ponte en contacto con el fabricante o vendedor antes de su utilización.
 - Todas las piezas incluidas con el shuffleboard deben usarse. No se incluye ninguna pieza extra.
 - No intentes montarlo tú solo, necesitarás ayuda para fijarlo.
 - No tires ningún elemento del embalaje hasta que el producto esté totalmente montado.

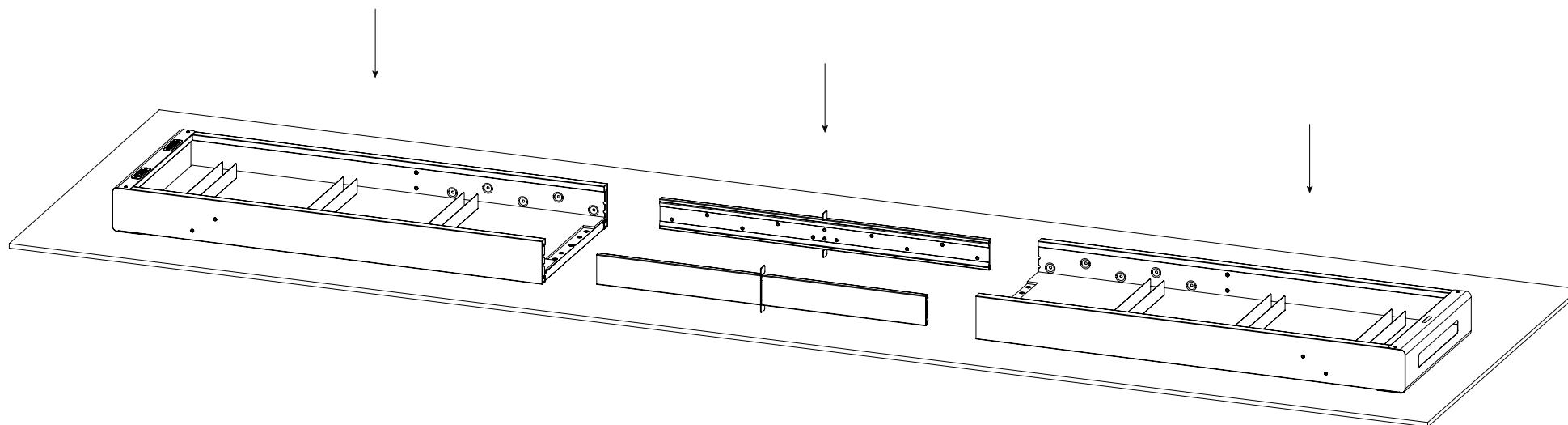


4 people | 4 personas

1.

Unpack the 2 shuffleboard frame pieces (A+B) and the 2 frame ribs from the cardboard box, place the 4 pieces on a blanket or a cardboard on a flat surface and place them as shown in the drawing.

Saca las 2 piezas de la estructura (A+B) y las 2 costillas de la estructura de la caja de cartón y colócalas sobre una manta o cartón en una superficie plana en la posición en la que se muestra en el dibujo.

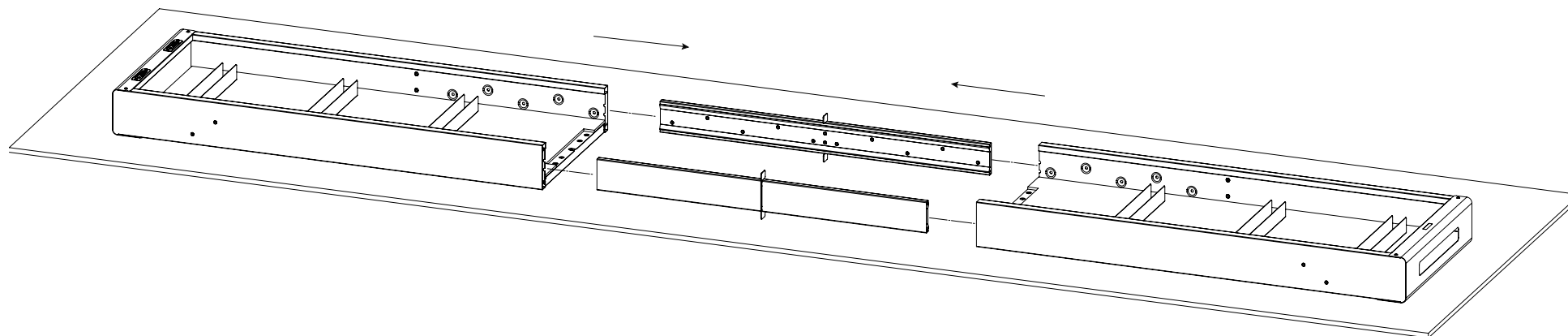


 4 people | 4 personas

2.1

Insert both frame ribs inside the hollow side profiles of the shuffleboard table frame.

Inserta ambas costillas dentro de los perfiles laterales huecos de la estructura.



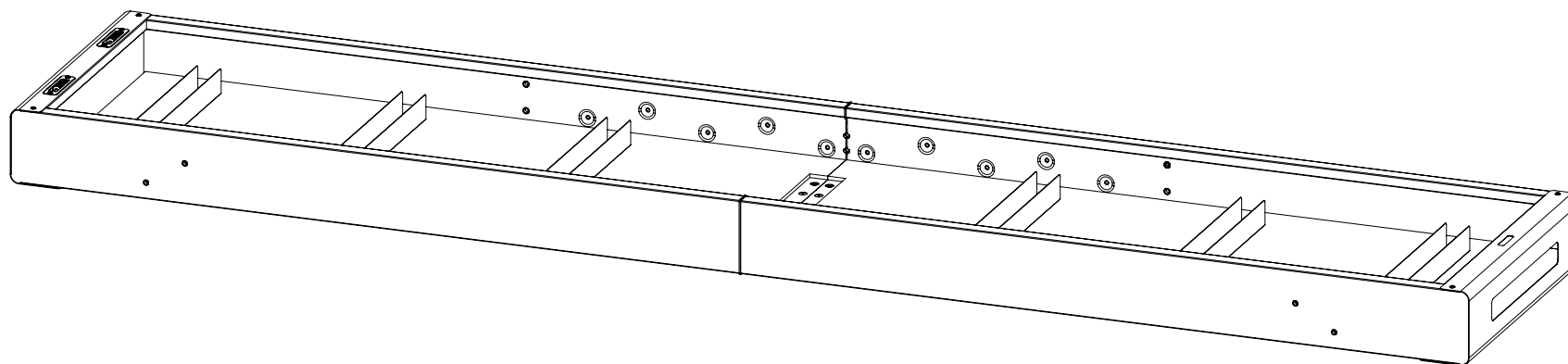


4 people | 4 personas

2.2

Slide both pieces of the shuffleboard frame carefully until they join each other keeping the two ribs inside the frame.

Desliza las dos partes de la estructura del shuffleboard con cuidado hasta que entren en contacto la una con la otra manteniendo las dos costillas en el interior de la estructura.



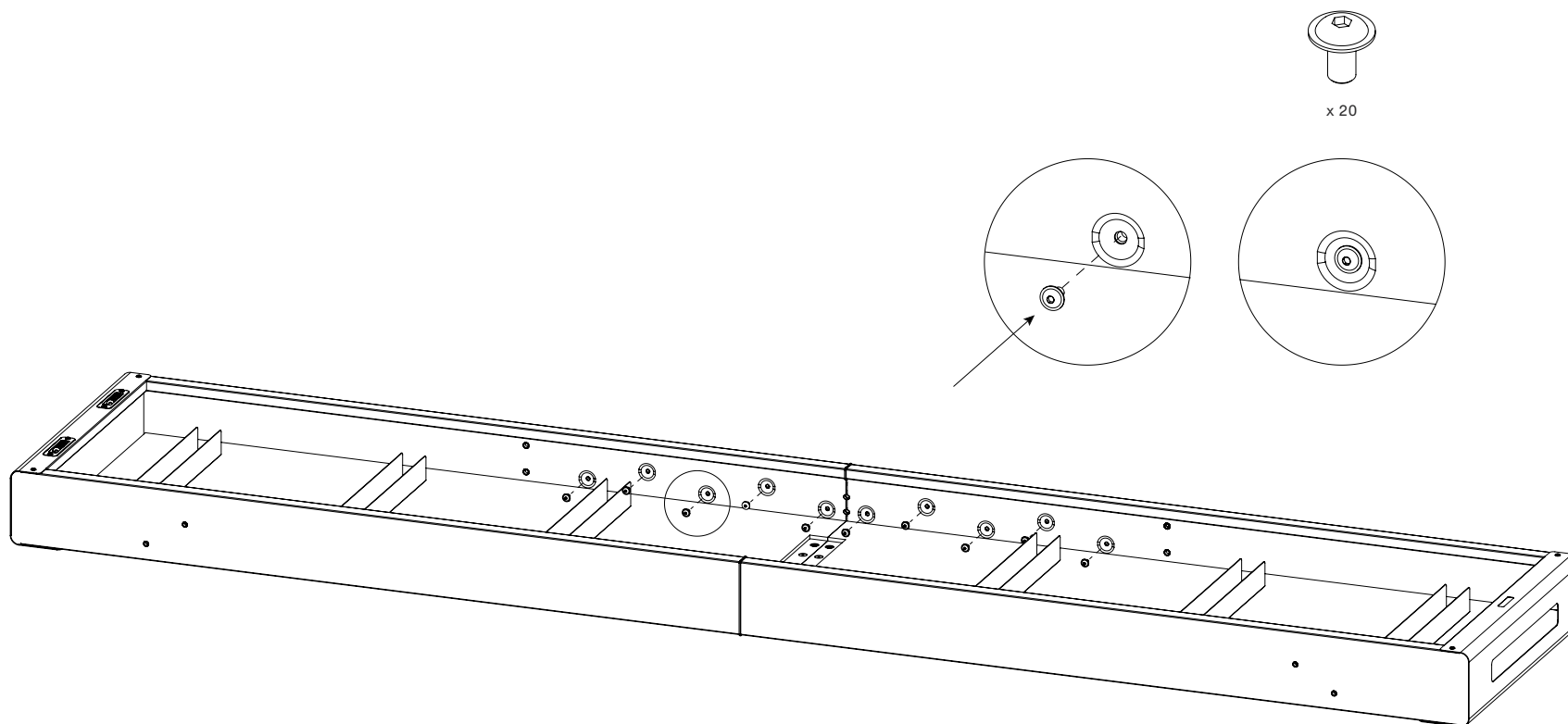


4 people | 4 personas

2.3

Fix both frame pieces using 20 M8x16mm screws (10 per side).

Fija las dos piezas de la estructura usando 20 tornillos M8x16mm (10 por cada lado).

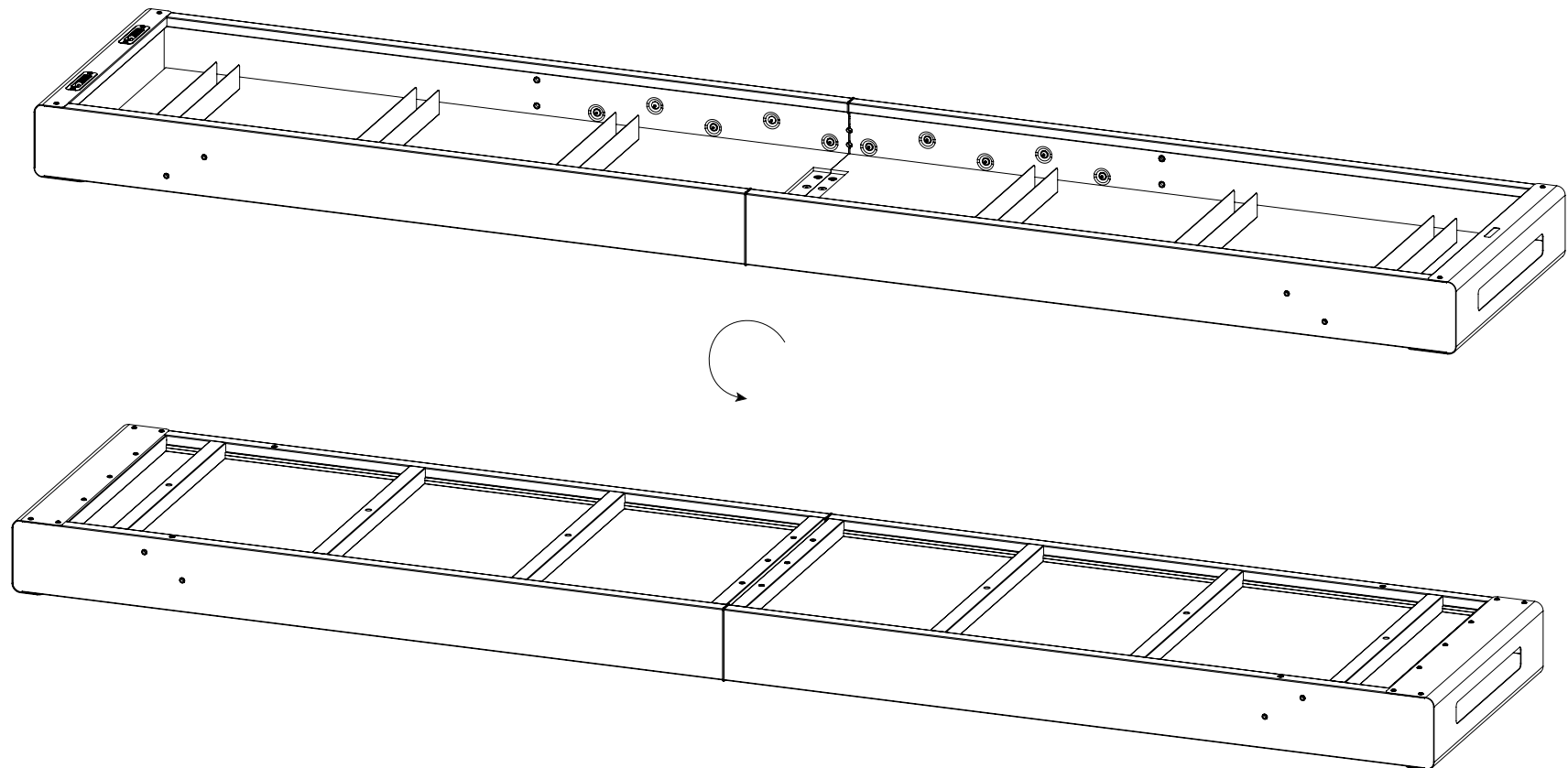


 4 people | 4 personas

3.

Flip the shuffleboard frame.

Gira la estructura del shuffleboard.

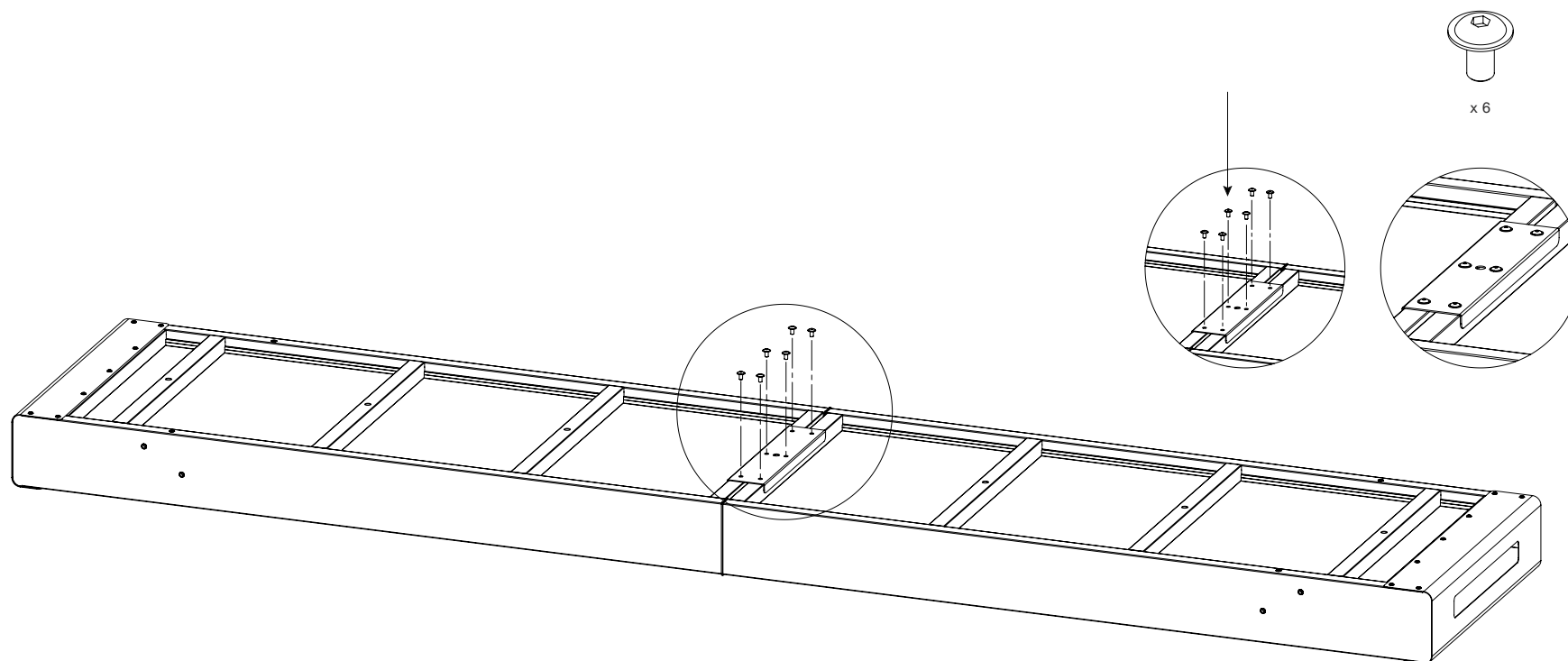


 4 people | 4 personas

4.

Place and fix the reinforcing frame piece to the back of the shuffleboard structure using 6 M8x16mm screws.

Coloca y fija la pieza de refuerzo de la estructura a la parte trasera de la estructura del shuffleboard usando 6 tornillos M8x16mm.

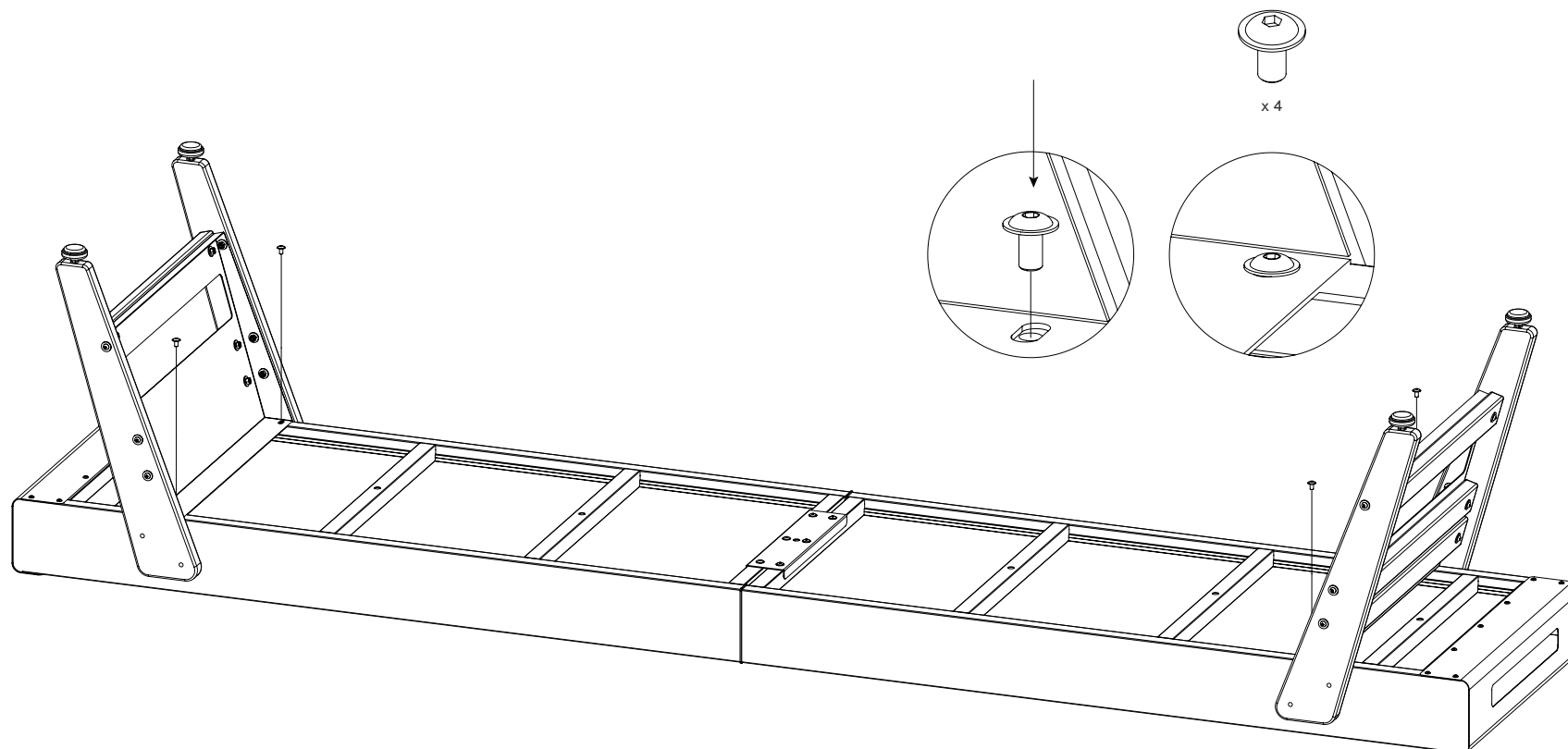




5.1

Place both leg sets and fix them to the frame using 4 M8x16mm screws (2 per leg set).

Coloca y fija los dos conjuntos de patas a la estructura usando 4 tornillos M8x16mm (2 por cada conjunto de pata).



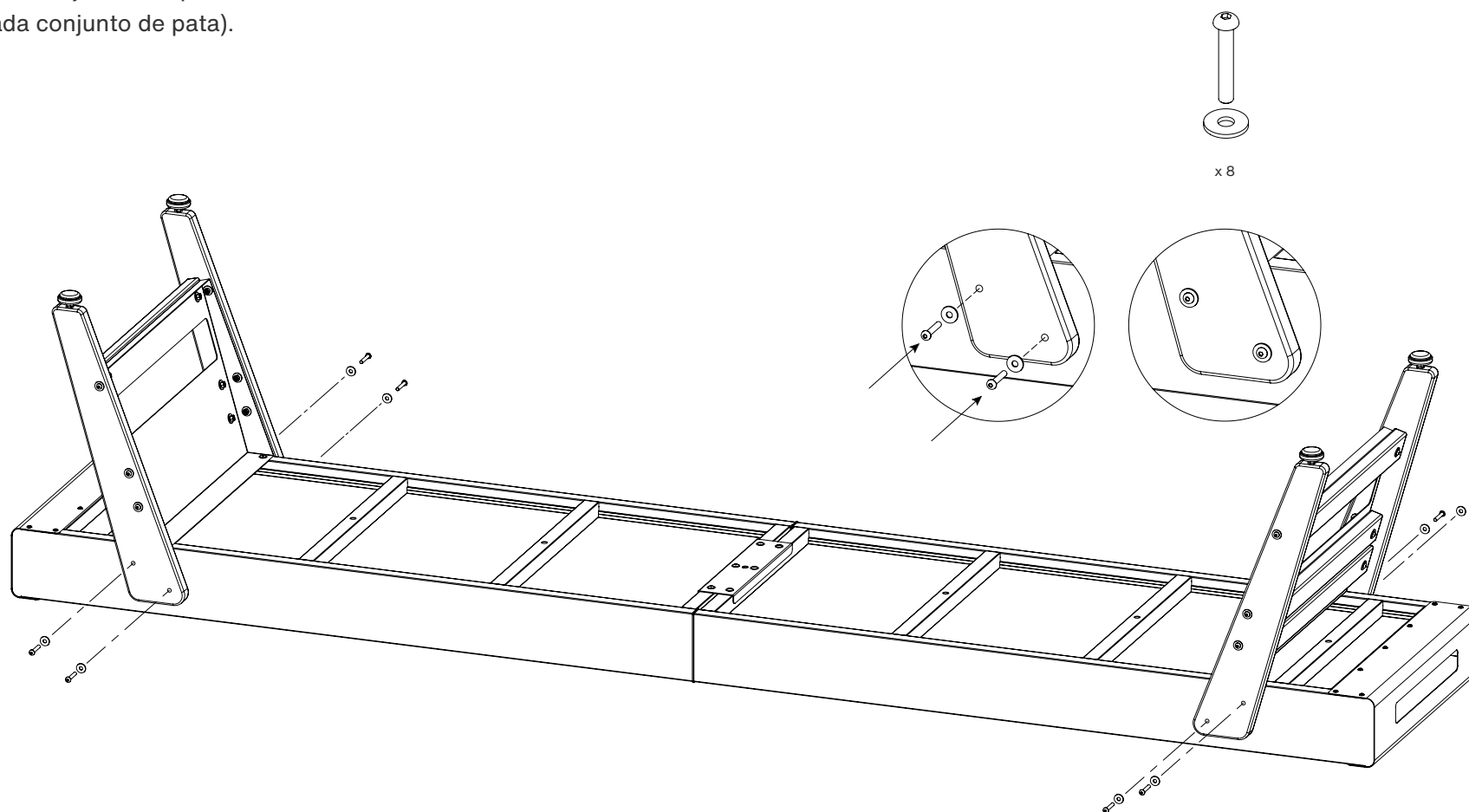


4 people | 4 personas

5.2

Fix the leg sets to the frame using 8 M8x50mm + 8 washers (4 per leg set).

Fija los dos conjuntos de patas a la estructura usando 8 tornillos M8x50mm + 8 arandelas (4 por cada conjunto de pata).



assembly

montaje

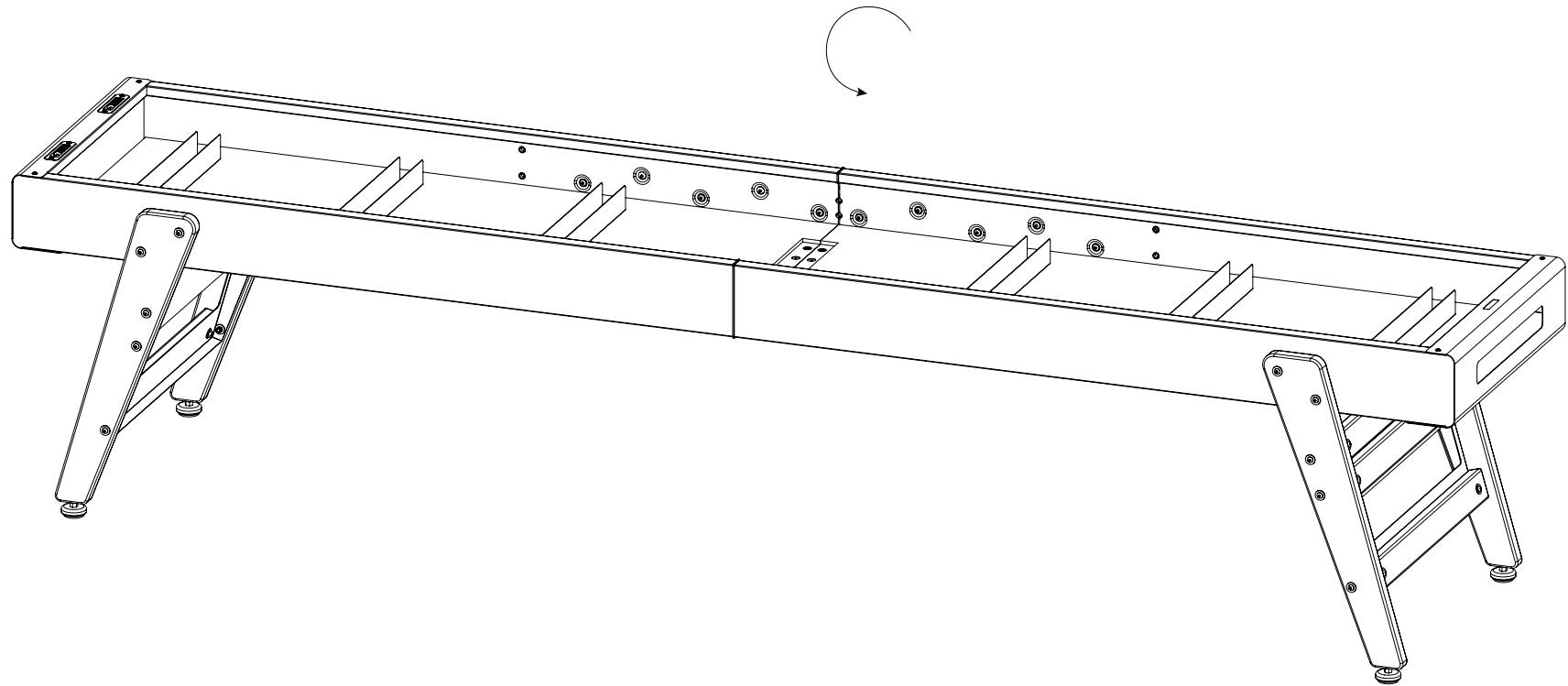


4 people | 4 personas

6.

Flip the shuffleboard table carefully to its final position.

Gira la mesa de shuffleboard a su posición final.



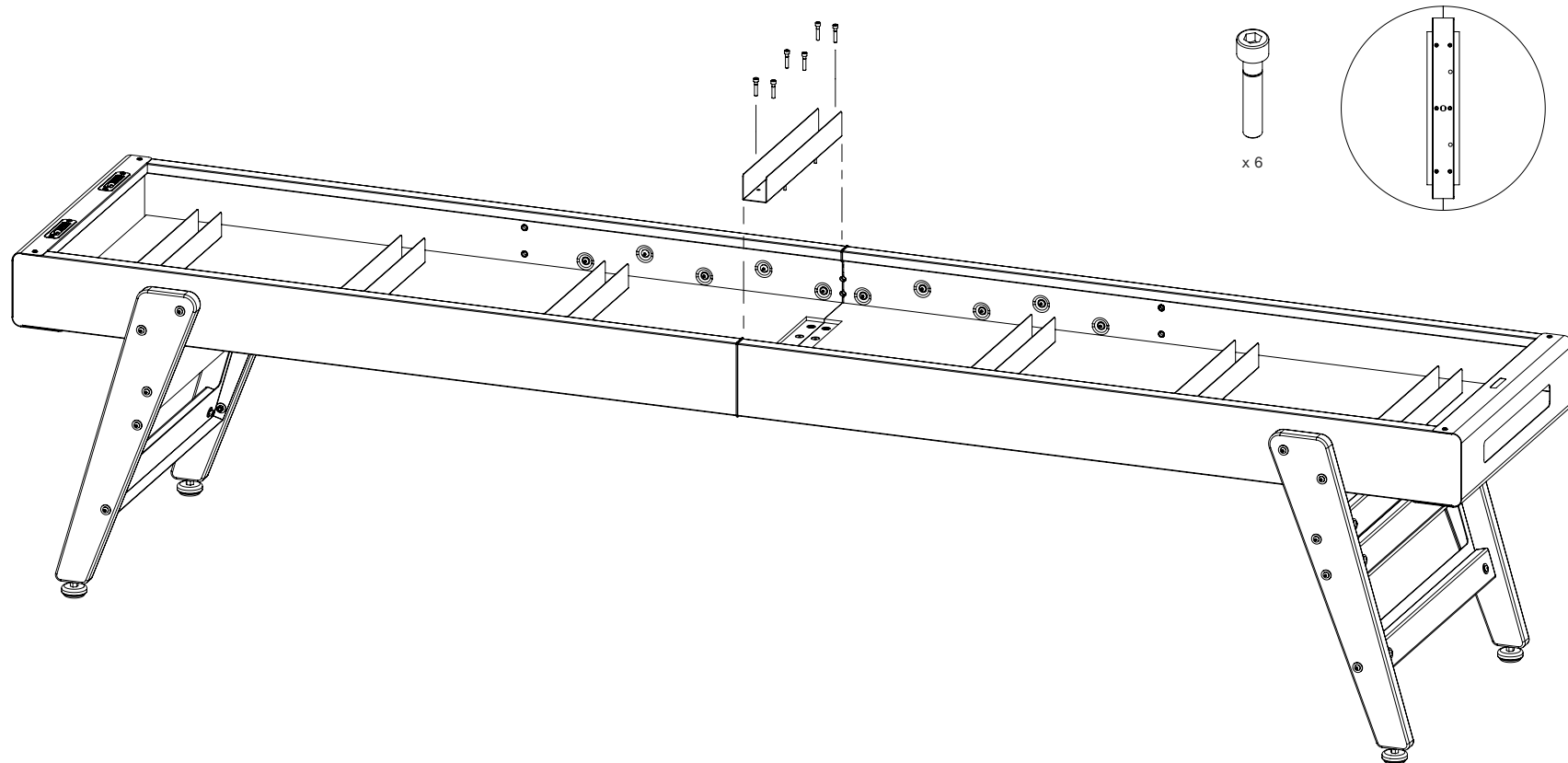


4 people | 4 personas

7.

Place and fix the central rib to the top of the shuffleboard structure using 6 M8x30mm screws.

Coloca y fija la costilla central en la parte superior de la estructura del shuffleboard usando 6 tornillos M8x30mm.



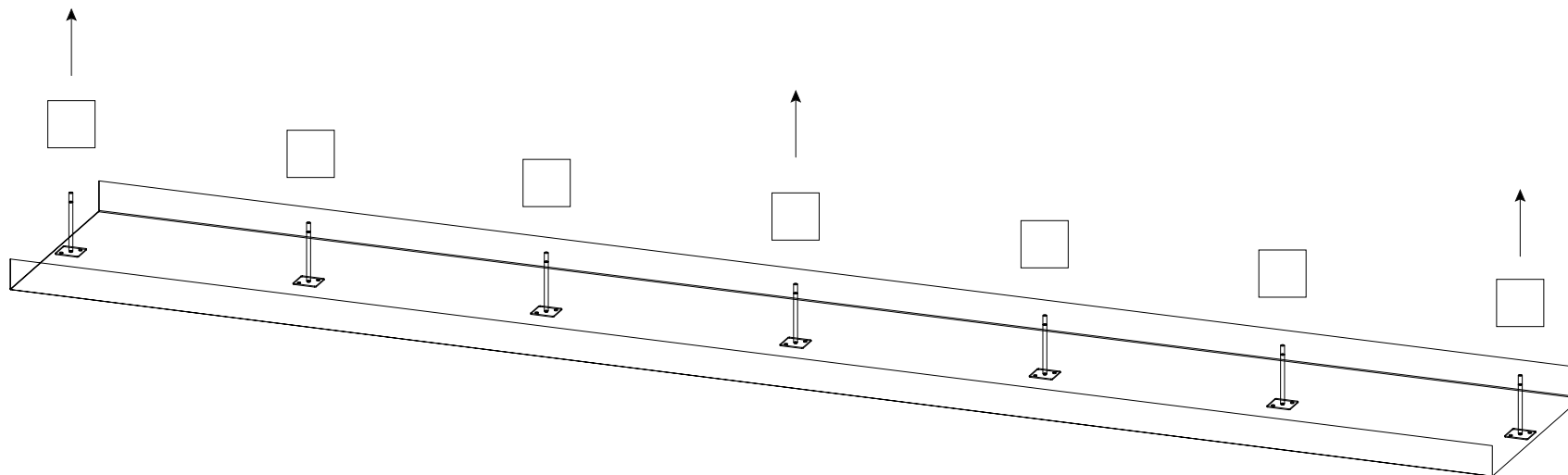


4 people | 4 personas

8.1

Unpack the playing field from the wooden box removing the white protective foam. That will help handling the playing field.

Desembala el campo de juego de la caja de madera quitando las espumas de protección blancas. Esto ayudará a una mejor manipulación del terreno de juego.



attention!

¡atención!



4 people | 4 personas

8.2

Attention!

This is a sensitive step that requires precise hand movements to avoid damage to the pieces. Therefore, we recommend wearing gloves to protect also your hands.

¡Atención!

Este es un paso delicado que requiere de movimientos precisos con las manos para evitar dañar las piezas. Por ello, te recomendamos usar guantes que también protejan tus manos.

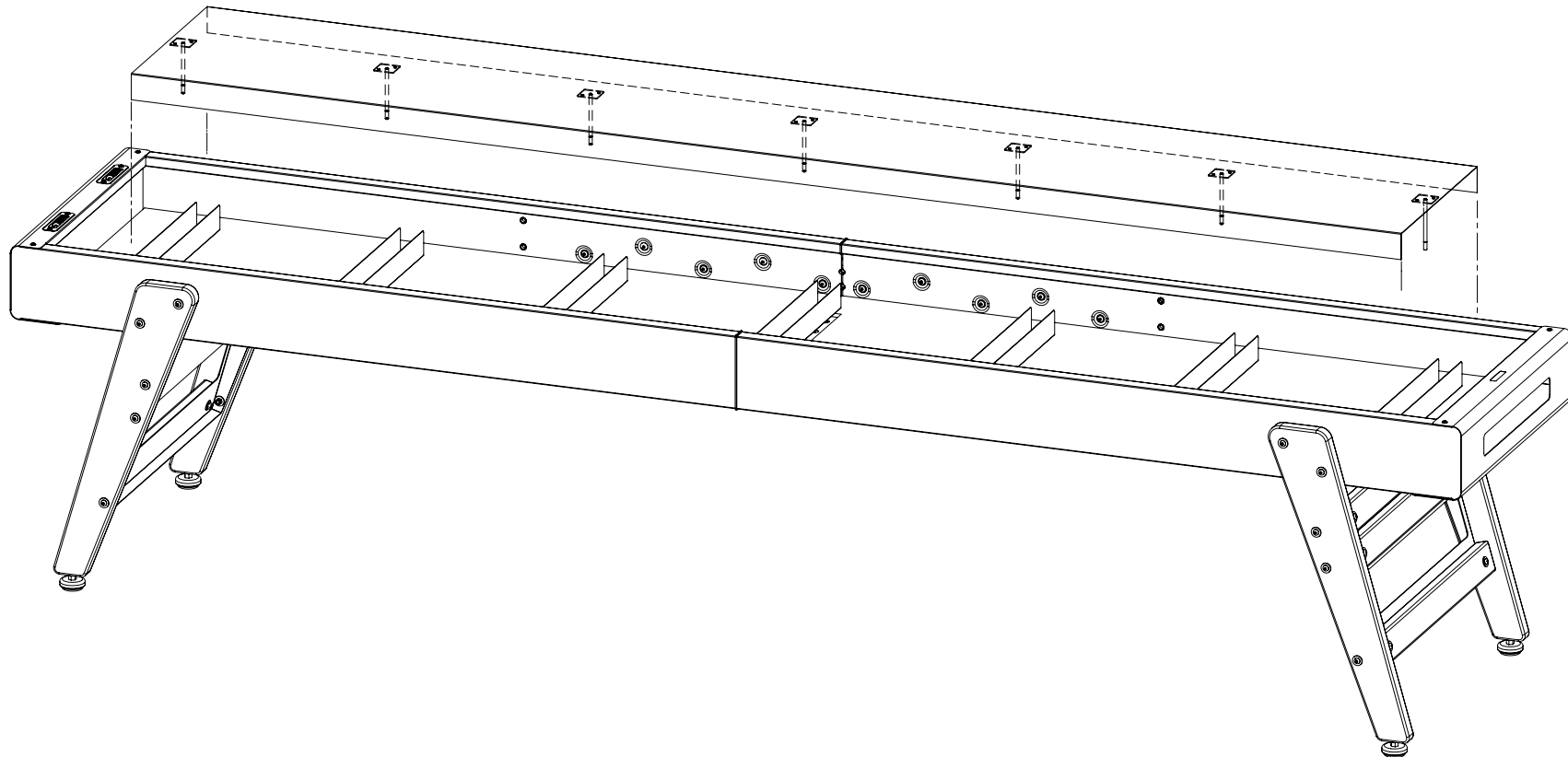


4 people | 4 personas

8.2

Place the playing field in position making sure that all 7 threaded stems fit perfectly into the holes of each 7 central ribs. Use your hands to direct the ribs and fit them into each of the holes avoiding any deformation, rubbing or scratching of the structure.

Coloca el campo de juego en su posición asegurándote de que las varillas roscadas entran perfectamente en los agujeros de cada una de las 7 costillas centrales. Usa las manos para dirigir las varillas y encajarlas en cada uno de los agujeros evitando que se deformen, rocen o rayen la estructura.





4 people | 4 personas

8.3

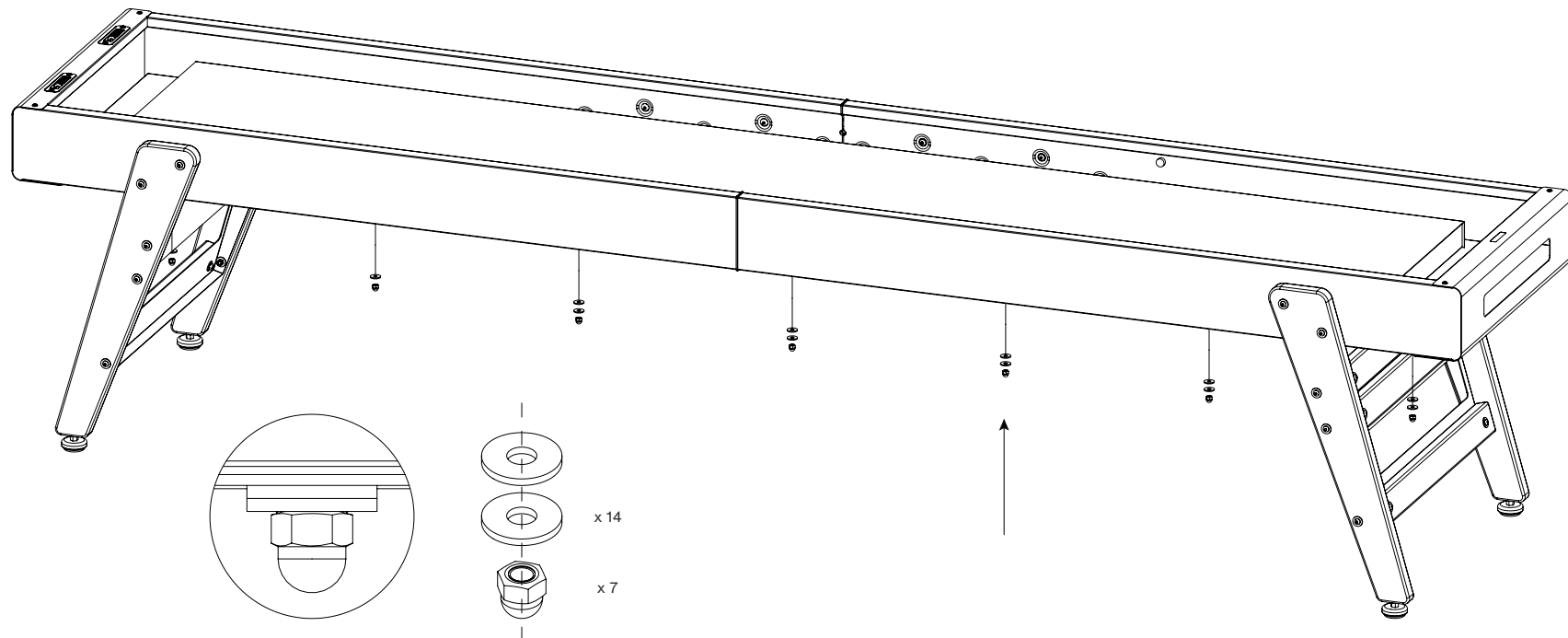
Fix the playing field using the 7 M8 nuts + 14 M8 washers (2 per threaded stem).

Fija el campo de juego usando 7 tuercas M8 + 14 arandelas M8 (2 por varilla).



Attention! Do not over tighten the stems. The frame ribs have a concave shape to provide the playing field with a slight inclination that improves the playing experience by preventing the pucks from sliding to the sides easily. Over-tightening the stems would force the resin surface too much, creating small deformations that will disrupt the game. So, stop tightening the nut when you notice that it reaches its stop and no longer turns easily.

¡Atención! No aprietes las varillas en exceso. Las costillas de la estructura tienen una forma cóncava para dar al terreno de juego una pequeña inclinación que mejora la experiencia del juego evitando que los pucks se desplacen hacia los laterales. Si aprietas en exceso las varillas forzarás demasiado la superficie de resina, creando pequeñas deformaciones que afectarían al juego. Por ello, para de apretar la tuerca cuando notes que llega a su tope y ya no gira con facilidad.



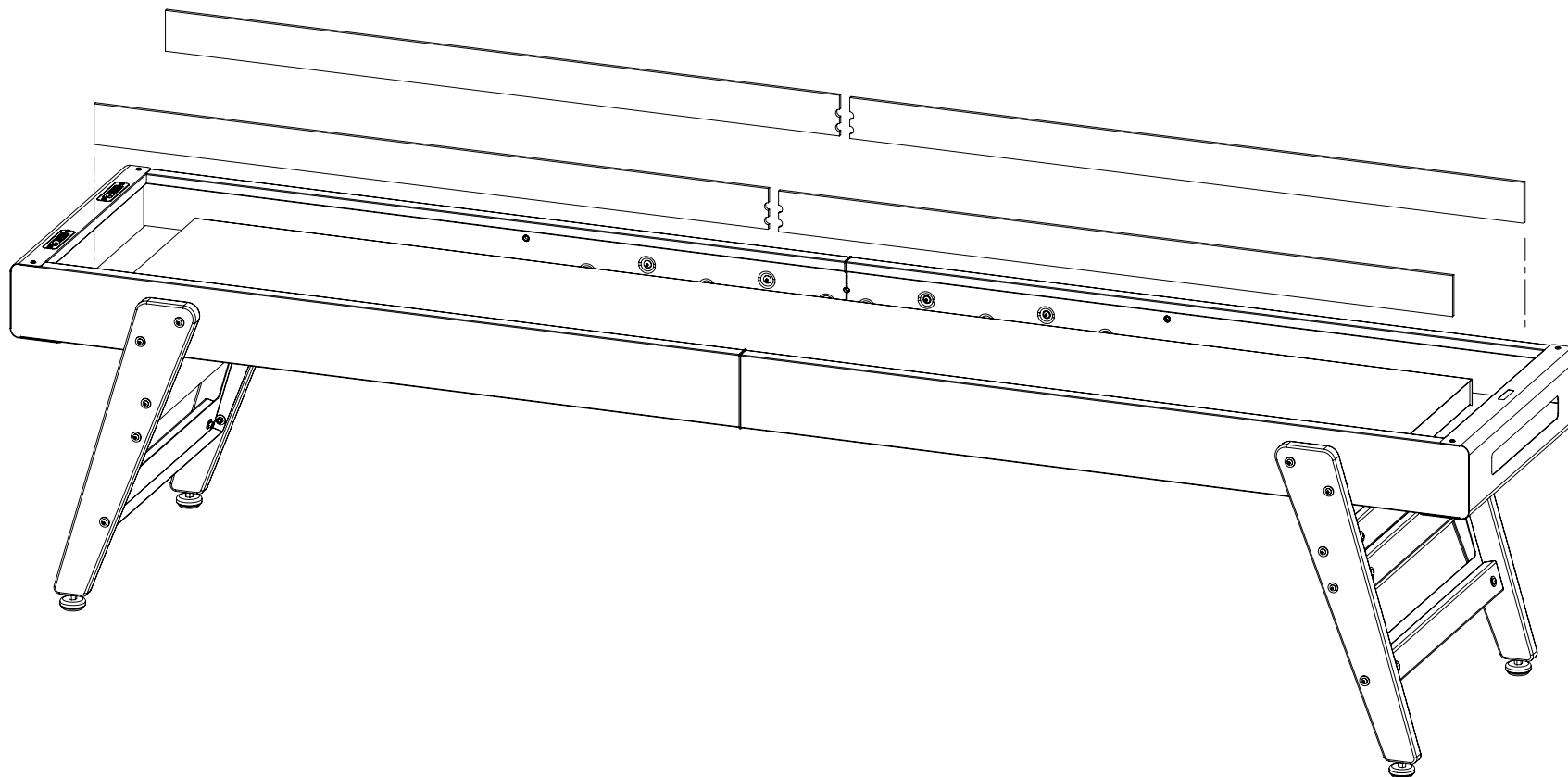


4 people | 4 personas

9.

Place the 4 PET inner side lining pieces in their final positions. They are placed just pressing. Do not require any kind of fixing system.

Coloca los 4 revestimientos interiores de PET en los espacios correspondientes. Se colocan a presión. No precisan de ningún tipo de sistema de fijación.

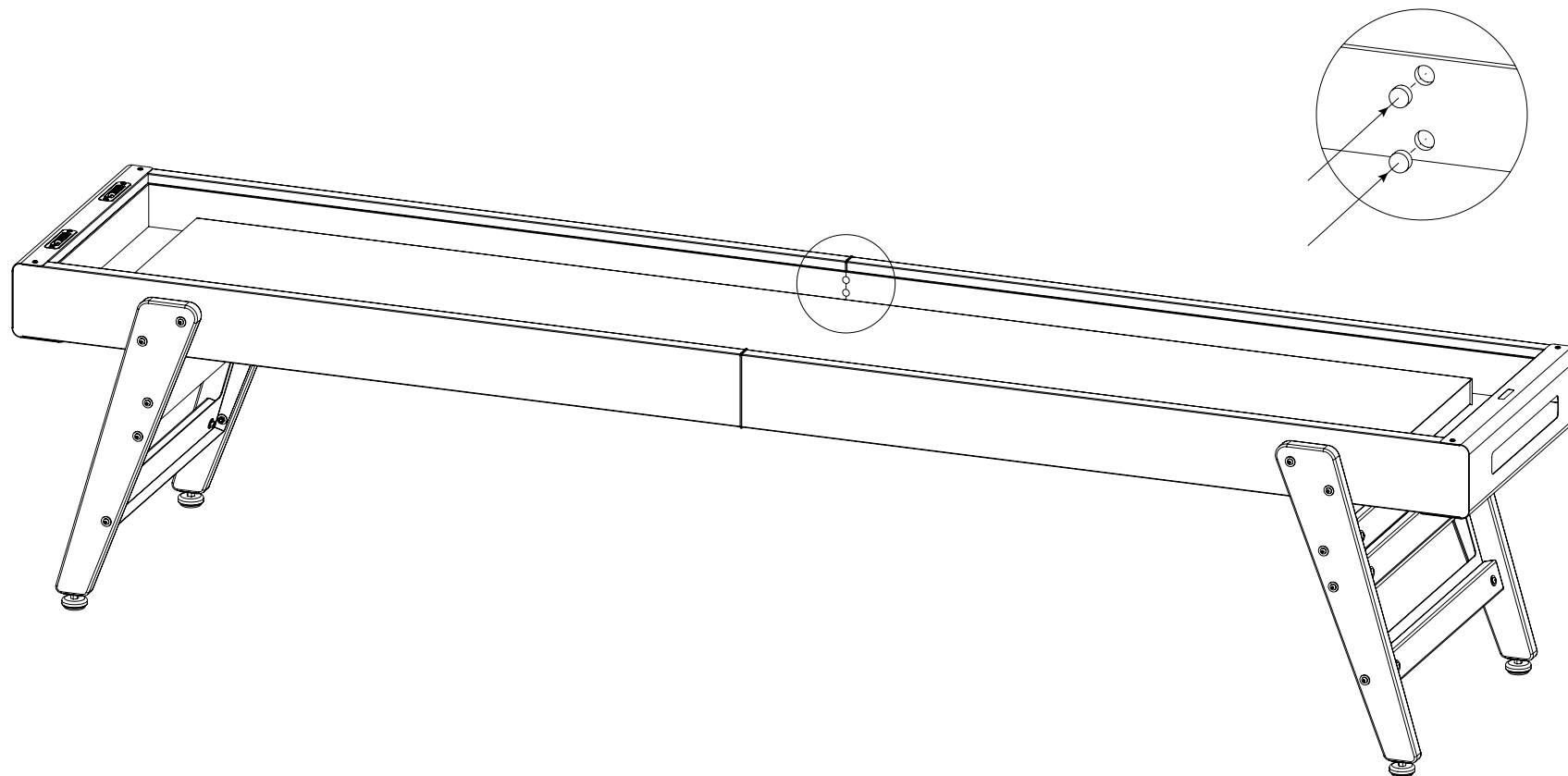


 4 people | 4 personas

9.1

Fix the 4 inner inside lining trims in the central screw holes of the frame.

Fija los 4 embellecedores del revestimiento interior en los huecos de los tornillos en la parte central de la estructura.



assembly

montaje

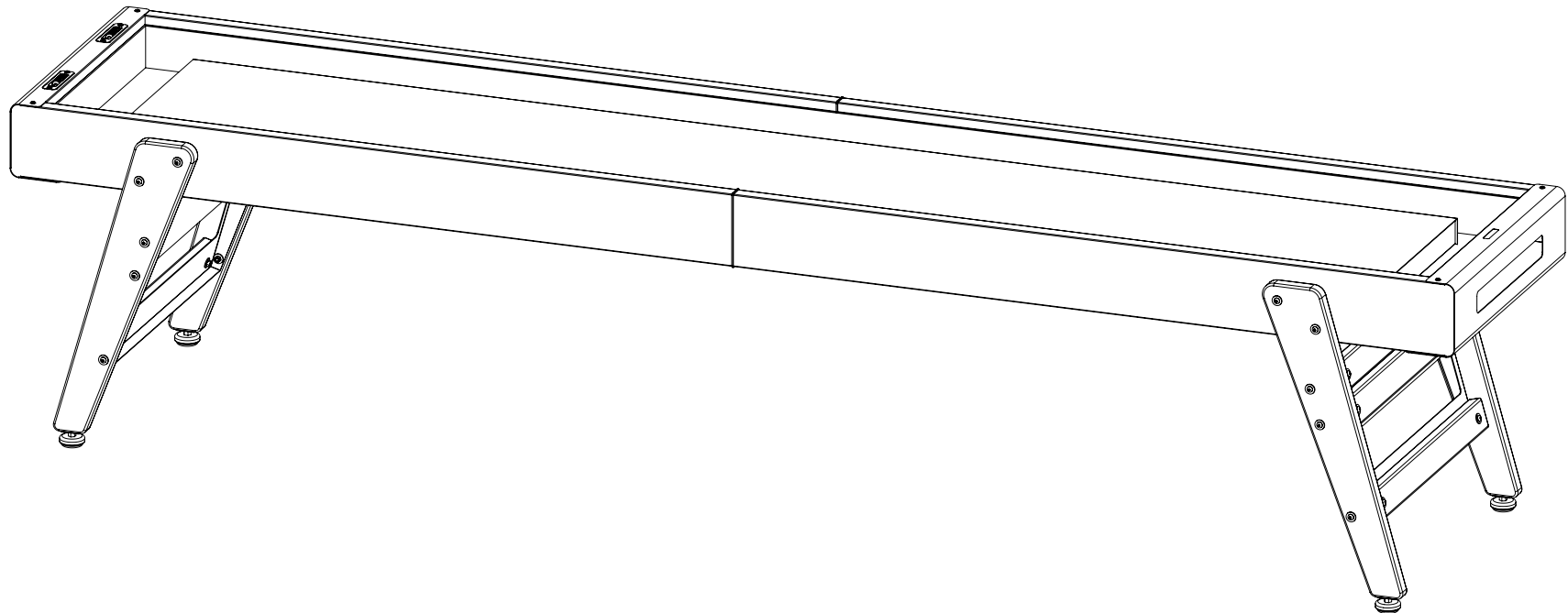


4 people | 4 personas

10.

Your shuffleboard Track is ready!

¡Tu Track shuffleboard está listo!



how to play shuffleboard

How to play shuffleboard

- Choose to play in singles or doubles.
- Flip a coin to decide who goes first. The winner can choose to shoot last (the hammer) because in shuffleboard it is an advantage.
- Choose to play matches to 15 or 21 point.
- Both teams stand at the same end of the table and alternate shots.
- Take turns shooting your pucks towards the opposite end trying to get them to the farther end of the table without falling off, until all 8 pucks have been shot.
- Try to knock your opponent's pucks off the table (into the alley) with your own.
- Just one team can score per round. The team with the puck closest to the edge without falling off scores the round.
- Only pucks that are farther than your opponent's highest scoring puck are eligible for points.
- Score your pucks:
 - 4 points: if your puck hangs over the edge of the table. This is called a "hanger".
 - 3 points: if the puck crosses the far line (trey line) without falling or hanging.
 - 2 points: if the puck crosses the nearer (deuce line) scoring line.
 - 1 point: if it crosses the foul line.
- Any puck that does not pass the foul line is immediately removed from the playing field for the round.
- Agree on the points before touching any puck.
- Scoring player shoots first in the next round.
- First team to reach 15 or 21 wins.

how to clean and set up Track shuffleboard playing field

How to clean and set up your Track shuffleboard playing field

Proper care of your shuffleboard will guarantee you a great playing surface for years to come. Waxing and cleaning your board will preserve the quality of your playing field and prevent damage.

Follow these steps to keep the playing field in optimum conditions:

1. Wipe old powder off the playing field with a cotton cloth.
2. Spray cleaner across the playing surface and wipe down until it gets dry.
3. Apply a thin layer of silicone spray over the entire playing field. This helps to keep the powder in place in order you don't have to re-lay as often.
4. After a minimum of 5 minutes, sprinkle the shuffleboard powder over the silicone in an even layer. Avoid clumps so that the pucks glide smoothly down the table.
5. Your Track shuffleboard is ready to play.

We suggest setting up your shuffleboard table regularly and according to your playing frequency. If it gets a lot of use, don't forget to re-lay for a better playing experience.

Attention!

- Don't put the shuffleboard table by windows or locations that place it in direct sunlight. Direct sunlight causes a constant expansion and contraction that potentially warp the playing surface.
- If your shuffleboard table is placed outdoors, this must be a covered outdoors, and you should always covered it with a protective cover when not in use.
- Never reuse the powder wax on the alley. The main component of the powders is very tiny and perfectly round silicone balls. Once the pucks ride on top of them they become jagged and imperfect. Reusing the powder slow the game and could damage your playing field.
- Vacuum cleaner set to low power from the alley weekly basis, to keep your shuffleboard table looking like brand new one.
- And, most importantly, wipe up spills immediately.
- The pucks also need regular attention. You can clean them with a soft damp cloth to remove any built-up wax powder and other dirt.

¿cómo se juega a shuffleboard?

¿Cómo se juega a shuffleboard?

- Lanza una moneda para ver quién tira primero. Si ganas, puedes escoger lanzar el último (the hammer) ya que en el shuffleboard es una ventaja.
- Decide si juegas partidas a 15 o 21 puntos.
- Los dos equipos se colocan en el mismo extremo de la mesa de shuffleboard y se alternan en el tiro.
- Lanza los pucks hacia el extremo más alejado del terreno de juego sin que caiga, hasta que cada equipo tire sus 4 pucks.
- Intenta sacar del terreno de juego los pucks de tu oponente golpeándolos con los tuyos.
- Solo suma puntos un equipo por ronda. El equipo que haya colocado el puck más cerca del límite de la mesa sin que caiga gana la ronda.
- Solo puntuarán los pucks que lleguen más lejos que los de tu rival.
- ¿Cómo puntúan los pucks?
 - 4 puntos: si consigues un “hanger”, es decir, que el puck se quede sobre el borde del límite del terreno de juego sin caer.
 - 3 puntos: si el puck cruza la línea más alejada (treyl line) sin caer.
 - 2 puntos: si el puck cruza la línea de puntuación más cercana (deuce line) sin caer.
 - 1 punto: si cruza la foul line.
- Los pucks que no superen la foul line se retiran del terreno de juego para esa ronda.
- Después de cada ronda, antes de retirar los puck, los dos equipos deben estar de acuerdo con la puntuación.
- Gana el equipo que llegue primero a los 15 o 21 puntos.

¿cómo limpiar y preparar el terreno de juego del shuffleboard Track?

¿Cómo limpiar y preparar el terreno de juego de tu shuffleboard Track?

El adecuado cuidado y mantenimiento de tu shuffleboard garantizará una óptima superficie de juego durante años. Encerar y limpiar el tablero preservará la calidad del campo de juego y evitará daños.

Sigue estos sencillos pasos para mantener tu shuffleboard en óptimas condiciones:

1. Elimina el polvo viejo que haya sobre el terreno de juego con un trapo suave de algodón.
2. Pulveriza el limpiador sobre la superficie y límpiala con un trapo hasta que quede seca.
3. Aplica una fina capa de spray de silicona sobre toda la superficie de juego. Esto ayuda a mantener la cera en polvo en su sitio y que no tengas que reponerla tan a menudo.
4. Transcurrido un mínimo de 5 minutos, espolvorea la cera en polvo en una capa uniforme. Evita que se creen montoncitos para que los discos se deslicen suavemente por el terreno de juego.
5. Tu mesa de shuffleboard Track ya está lista para jugar.

Te recomendamos que realices estos pasos regularmente y según tu frecuencia de juego. Si juegas mucho, hazlo con mayor periodicidad para disfrutar al máximo del juego.

¡Atención!

- No coloques el shuffleboard cerca de una ventana o en lugares en los que esté expuesto a la luz directa del sol, ya que esta puede causar dilataciones y contracciones que deformen el terreno de juego.
- Si tu shuffleboard está en el exterior, este debe ser un exterior cubierto, y siempre debes cubrirlo con una funda de protección cuando no estés jugando.
- Usa el aspirador a baja potencia para retirar la cera en polvo que se va acumulando en los laterales del terreno de juego una vez a la semana como punto de partida. Así tu mesa de shuffleboard se mantendrá como nueva.
- Nunca reutilices la cera en polvo acumulada en los laterales. El componente principal de este polvo son bolas de silicona muy finas y muy redondas. Con el roce de los pucks se vuelven irregulares e imperfectas. Reutilizarla no solo ralentizaría el juego sino que también podría dañar el campo de juego.
- Y, sobre todo, elimina cualquier líquido o mancha que se derrame inmediatamente.
- Los pucks también necesitan de un mantenimiento. Puedes limpiarlos con un paño suave y húmedo para eliminar la cera en polvo y otra suciedad que se haya adherido.

care and maintenance

RS Barcelona products are manufactured of high-quality materials to last over time. Although age can catch up with us, it is possible to retain not only their longevity but their appeal and beauty. Therefore, as with any product that we love and wish to preserve and protect, they require regular care and maintenance, which should be increased in pieces that are used outdoors.

- Carefully read the advice and tips included in this User Manual.

- There is not a “one size fits all” statement for the maintenance frequency of the shuffleboard tables. It will highly depend on the environment in which they are placed (indoors or covered outdoors; by the sea or close to a swimming pool; in very high moisture conditions or in areas with frequent rain...). For this reason the periodicity of maintenance must be set according to how the product and materials perform in their environment.

- If the product is to remain out of use for extended periods of time or in severe weather conditions, it should be protected with an optional cover and/or moved to a covered area or indoors to avoid dust and moisture, which are main causes of mildew and corrosion.

Metal (structure)

This product has been manufactured of steel with a cathaphoretic coating process, also known as electrophoresis deposition (EPD). It is an anti-corrosion treatment in order for the metals to withstand most outdoor situations. The final process coats the pieces with a layer of epoxy paint to further protect them from environmental elements. In any case, it is necessary to prevent these products from being exposed to moisture for extended periods of time and to clean and maintain them periodically. It is

also very important to avoid scratches to the painted surfaces as this exposes the metal to moisture and thus encourages the development of corrosion.

For the optimal conservation of pieces manufactured in steel, periodic maintenance is advised. This maintenance must be tailored to the conditions to which your product is exposed (dust, dirt, humidity in combination with heat, salty or potentially corrosive environments, etc.). This can vary from one to four times a month, in normal settings, or up to once a day in cases of unhygienic or very rough conditions.

You must be the one who adjusts and evaluates the periodicity of the maintenance according to how the material reacts, increasing or reducing it depending on what is necessary for proper product care. In any case, we recommend cleaning it at least once a week, as a starting point. Therefore, it's important to keep the product clean.

Please follow these simple instructions to keep the metal pieces of your product in good condition:

- For cleaning steel, use only a cloth with warm water and mild soap. Never use abrasive soaps or detergents, as they can leave scratches and produce discoloration.
- Rub gently with a damp cloth. Rinse and wring the cloth frequently, to keep it moist. Make sure to rinse well and dry with another cloth.
- If the surface is glossy, you must wash it along the grain, to avoid scratching the surface. On polished surfaces, you must previously remove dust to avoid scratching the surface.
- If the event of a spill, clean the stain as quickly as possible.
- If you are unable to remove the stains with a damp cloth, apply a metal cleaner to the surface with a cloth. Read the instructions of the cleaner carefully, and test it first on an inconspicuous spot. Make sure to rinse well and dry with another cloth.

- When the product is extremely dirty, with stains, incrustations, or signs of surface discoloration due to long periods of neglect, or poor maintenance, we recommend contacting professionals to restore the steel's initial appearance.

Wood Iroko (legs)

As a natural material, iroko can vary in color, or even crack due to humidity and sudden changes in temperature. Exposed to the elements, iroko undergoes a natural oxidation process that affects its color, taking on an attractive silver-grey tone.

Iroko pieces should be treated with a waterproof sealer to protect them from moisture and stains (provided they are cleaned immediately). However, this sealant naturally vanishes over time.

We recommend treating the wood with sealant every three months, or more frequently at dining and hospitality establishments. To restore iroko's original appearance, sand the entire surface and apply the sealant, following the manufacturer's instructions.

Never use soaps or abrasive detergents, or furniture cleaning products containing wax, as these types of products form a sticky layer on the surface that attracts dirt.

Follow these simple instructions to keep the wooden pieces in good condition:

- Avoid giving hard blows.
- Clean the dust frequently.
- Clean with a cloth dampened in warm water and mild soap and dry it fast with another cloth.
- Always clean gently in the direction of the grain.
- Never use abrasive soap or detergent, sandpaper or steel wool since they could scratch the surface or make colors fade.



care and maintenance

• Water and moisture can also damage these woods, so try to keep them as far away as possible from these elements.

If the product is used outdoors, keep it clean and in good condition, following these instructions more frequently.

When the product is kept outdoors and is not used for prolonged periods, we recommend you to use always the protective cover.

Do not forget

Tighten the product's screws regularly to prevent loosening.

Danger!

• Do not allow children under 14 to use it without the supervision of an adult and under his/her responsibility.

Warning!

- Check that the assembly kit is complete. Otherwise, contact the manufacturer or seller before use.
- Do not try to assemble the shuffleboard on your own, you will need help to turn it over.

mantenimiento y limpieza

Los productos RS Barcelona están fabricados con materiales de alta calidad para resistir y perdurar en el tiempo. Aunque los años no perdonan, es posible conservar su apariencia y su belleza original. Para ello, como en todo producto que queramos preservar y proteger, es necesario un cuidado y mantenimiento periódico que deberá incrementarse en el caso de los productos expuestos al exterior.

- Lee atentamente los consejos sobre cuidado y mantenimiento indicados en este Manual de usuario.
- No se puede establecer o definir una periodicidad estándar para realizar el mantenimiento de los productos. Dependerá mucho del entorno en el que se encuentren (en interior, en exterior o en exterior cubierto; cerca del mar o una piscina; en condiciones de humedad muy altas o zonas con constantes precipitaciones...). Por ello, debes ser tú mismo quien valore y ajuste la frecuencia del mantenimiento en función de la reacción del producto y los materiales en el entorno.
- Si el producto va a estar fuera de uso por periodos largos o en caso de climatología adversa, siempre debe cubrirse con una funda de protección e incluso trasladarlo a lugares menos expuestos o interiores para evitar que se pose la suciedad y la humedad, principales motivos de la proliferación del moho y la corrosión.

Metal (estructura)

El metal con el que se ha fabricado este producto se ha sometido a un proceso de cataforesis. También conocido como deposición electroforética (EDP), es un tratamiento anticorrosión con el que se trata el acero para garantizar su mayor resistencia a los entornos al aire libre. Un procedimiento que recubre los productos con una capa de pintura epoxy protegiéndolas de los agentes externos. De todos modos, hay que evitar que estos productos estén expuestos a la humedad durante

mucho tiempo y realizar su limpieza y mantenimiento de forma periódica, como cualquier otro material. También es importante evitar los rayaduras ya que dejan el metal expuesto a la humedad y con ello al inicio de la corrosión.

Para una buena conservación de las piezas fabricadas en acero, es conveniente realizar un mantenimiento periódico. Este mantenimiento deberá adaptarse a las condiciones ambientales a las que se encuentre sometido tu producto (polvo, suciedad, humedad en combinación con calor, ambientes salinos o potencialmente corrosivos...). Esto puede variar de una vez a cuatro veces al mes en ambientes normales o puede ser una vez al día en caso de situaciones muy agresivas.

Debes ser tú quien ajuste y valore la periodicidad del mantenimiento en función de cómo reaccione el material, acortándola o alargándola para conseguir un correcto cuidado del producto. En cualquier caso, te recomendamos realizar una limpieza al menos una vez por semana, como punto de partida.

Sigue estas sencillas instrucciones para mantener las partes metálicas del producto en buenas condiciones:

- Para la limpieza del acero usa únicamente un trapo bañado en agua tibia y jabón suave. No uses nunca jabones o detergentes abrasivos ya que podrían dejar rasguños o decoloraciones.
- Frota suavemente con el paño húmedo. Enjuaga y escurre el paño frecuentemente para mantenerlo húmedo. Asegúrate de enjuagar bien y secar con otro trapo.
- Si la superficie es satinada, el movimiento del lavado deberá ser paralelo a la dirección del satinado, así evitarás rayaduras en las superficies por el polvo. En las superficies pulidas debes eliminar previamente el polvo para evitar el rayado de la superficie.

- Si por accidente cae o se derrama algún líquido, limpia las manchas lo más rápido posible.
- Si con un trapo húmedo no consigues eliminar las manchas, aplica un limpiador de metales sobre la superficie con un trapo. Lee las instrucciones del limpiador atentamente y pruébalo en un lugar poco visible. Asegúrate de enjuagar bien y secar con otro trapo.

Cuando el producto esté extremadamente sucio, con manchas, incrustaciones o muestras de decoloración superficial debido a largos períodos sin mantenimiento o un mal mantenimiento, te recomendamos contactar con profesionales para intentar recuperar el aspecto original del acero.

Madera

Iroko (patas)

Al tratarse de un material natural, el iroko puede variar de color o incluso agrietarse a causa de la humedad y los cambios bruscos de temperatura. A la intemperie, el iroko experimenta un proceso de oxidación natural que afecta a su color, que adopta un atractivo tono gris plateado.

Las piezas de iroko deben tratarse con un sellador impermeable que las protege de la humedad y de las manchas (siempre que se limpien inmediatamente). Sin embargo, este sellador va desapareciendo con el tiempo de forma natural.

Te recomendamos tratar la madera con sellador cada tres meses, o con mayor frecuencia en el caso de establecimientos de hostelería y restauración. Para restablecer el aspecto original del iroko, lija toda la superficie y aplica el sellador siguiendo las indicaciones del fabricante.

No uses jabones ni detergentes abrasivos, ni productos que contengan cera. Estos productos forman una capa

mantenimiento y limpieza

pegajosa en la superficie que atrae la suciedad.

Sigue estas sencillas instrucciones para mantener las piezas de madera en buenas condiciones:

- Evita darle golpes fuertes.
- Limpia el polvo de forma habitual.
- Para su limpieza, usa un trapo preferiblemente de algodón bañado en agua y luego seca rápidamente con otro paño.
- Para limpiezas en mayor profundidad puedes usar un trapo bañado en agua tibia y un poco de jabón.
- Limpia siempre en el sentido de la veta y con suavidad.
- No uses nunca jabones o detergentes abrasivos, porque eliminan el brillo y el color natural de la madera. Tampoco uses papel de lija o lanas de acero ya que podrían rayar y decolorar la superficie.
- El agua y la humedad también pueden dañar la madera, por ello mantén el producto alejado de estos elementos.

En caso de que el producto esté ubicado en el exterior, manténlo limpio y en buenas condiciones siguiendo estas indicaciones con mayor periodicidad.

Te recomendamos el uso de la funda de protección siempre que el producto esté al exterior y no se use durante períodos largos de tiempo.

No olvides

Ajustar los tornillos del producto periódicamente para evitar que se aflojen.

¡Peligro!

- No permitas su utilización a niños menores de 14 años sin la presencia de un adulto y bajo su responsabilidad.

¡Atención!

- Revisa que el kit de montaje esté completo. En caso contrario ponte en contacto con el fabricante o vendedor antes de su utilización.
- No intentes montar la mesa de shuffleboard tú solo, necesitarás ayuda para girarlo.

Warranty

For two years from purchase date, RS Barcelona warrants that its products to be free from defects in material and workmanship recognized as defective by RS Barcelona services under normal use and the conditions for which it was designed and the product is used for its intended purpose.

The warranty is nontransferable, and is applicable to the original purchaser only. The warranty will be valid only if proper maintenance and cleaning have been carried out in accordance with RS Barcelona's care and maintenance instructions.

This warranty does not apply to:

- Faults or imperfections resulting from passage of time or normal wear and tear.
- Unusual use of the product, different from the intended use.
- Assembly not in accordance with the instructions provided by QR code.
- Non-compliance with the operating and safety instructions described in the User Manual.
- Non-compliance with the care and maintenance described in instructions in the User Manual.
- Use of aggressive maintenance products.
- Stains of diverse origins (moisture, food, animals, unsuitable household products, etc.).
- Causes not related to the quality of the product (bumps, scratches, drops, impacts, etc.).
- Scratches, natural variations in wood grain and color. These are characteristic of this natural material.
- Discoloration or fading of surface materials and colors due to stains, ultraviolet light, harsh cleaners, etc.
- Wear or discoloration of vinyl and screen printing on any surface.
- Scratches or tears that may occur on the furniture fabric or pool table cloth due to use.

Products which do not conform to the description or

which are defective in material or manufacturing will be replaced, repaired or, at RS Barcelona's choice, credited for their original purchase price. RS Barcelona must be notified of such defect with graphic evidence and description.

The warranty does not cover the following aspects:

- Shipping cost of defective pieces.
- Travel of a professional technician.

Garantía

Todos los productos de RS Barcelona tienen una garantía de 2 años desde la fecha de compra. Esta garantía cubre los defectos de fabricación siempre y cuando el producto se use para el propósito para el que fue diseñado y bajo las condiciones recomendadas por el fabricante.

La garantía es intransferible y se aplica únicamente al comprador original. La garantía será válida solo si se ha realizado el mantenimiento y la limpieza adecuadas de acuerdo a las instrucciones de cuidado y mantenimiento de RS Barcelona.

Esta garantía no incluye:

- Los desperfectos o imperfecciones resultantes por el paso del tiempo y el desgaste normal y habitual del producto.
- El uso anormal del producto, distinto al uso para el que fue diseñado.
- El montaje no conforme a las instrucciones facilitadas mediante código QR.
- El incumplimiento de las instrucciones de uso y seguridad descritas en el Manual de usuario.
- La falta de mantenimiento de los materiales y piezas descritas en el Manual de usuario.
- El uso de productos de limpieza agresivos.
- Las manchas de diversos orígenes (humedad, alimentos, animales, productos no adecuados, etc.).
- Las causas no relacionadas con la calidad del producto (golpes, arañazos, caídas, impactos, etc.).

• Las grietas, las variaciones de la veta y el color de la madera, al tratarse de características propias de este material natural.

• La decoloración o desvanecimiento de los materiales y los colores de las superficies debido a las manchas, la luz ultravioleta, los productos de limpieza agresivos, etc.

• Los desgarros o arañazos que pudiesen producirse en los tejidos de los muebles o en el tapete de la mesa de billar debido al uso.

Los productos que no concuerdan con la descripción o que muestran defectos en el material de fabricación serán repuestos, reparados o abonados por el mismo precio de compra, según criterio de RS Barcelona. Dichos defectos de fabricación serán notificados a RS Barcelona mediante documentación gráfica (imágenes de los desperfectos).

Quedan excluidos de esta garantía los siguientes conceptos:

- El coste del envío de las piezas defectuosas.
- El viaje o traslado de un profesional técnico.

Returns

No returns will be admitted, except in cases of manufacturing defects. If you detect any damage in the packaging, before open it, take some pictures. They will be necessary in order to process your complaint.

Do not throw the original packaging away until you check that the product is in perfect condition.

You have 5 days from the product reception to register a manufacturing defects complaint.

All returns and complains must be addressed directly through the point of sale where the product was purchased. If this option is not accessible to you, in order for returns involving manufacturing defects to be accepted the following steps should be followed:

- Contact our Customer Service Dept. at customercare@rsbarcelona.com.
- Send us via email (customercare@rsbarcelona.com) the following documentation:
 - Proof of purchase (invoice or delivery note).
 - The product model and article reference.
 - Accurate description of the detected damage.
 - Images of the faulty parts.
- In case of packaging damages we will need you to send images as well.
- Once the claim/return is accepted by RS Barcelona, we will contact you to proceed with the pick-up/replacement of the product.
- The product must not be used.
- The product must be returned in the same condition in which it was sent to you and in its original packaging. If the original packing is not available, we will provide you with a new one, which you will be required to pay.

Natural wood products returns will NOT be admitted. As a natural material, wood can vary in

color, or even crack due to humidity and sudden temperature changes. To preserve the good condition of the wood, follow the manufacturer's maintenance and care instructions.

After 5 days from product reception, NO claims for manufacturing defects or missing pieces will be admitted.

Devoluciones

No se admiten devoluciones, excepto en caso de defecto de fabricación. Si al recibir tu pedido detectas desperfectos en el embalaje, por favor, antes de abrirlo toma fotografías para que, en caso de desperfecto en el producto, podamos atender tu reclamación.

No tires el packaging original hasta comprobar que el producto está en perfectas condiciones.

Tienes 5 días desde la recepción del producto para reclamar la devolución por producto defectuoso.

Todas la devoluciones y reclamaciones deber procesarse directamente a través del punto de venta donde adquiriste el producto. Si esta opción no estuviese a tu alcance, para que podamos atender tu devolución o reclamación, deberás seguir los pasos que detallamos a continuación:

- Ponerte en contacto con nuestro Servicio de Atención al Cliente en customercare@rsbarcelona.com.
- Remitirnos vía e-mail (customercare@rsbarcelona.com) la siguiente documentación:
 - Prueba de compra (factura o albarán de entrega).
 - Modelo del producto y referencia del artículo.
 - Descripción detallada del defecto o problema.
 - Fotografías de las piezas con desperfectos.
 - En el caso de que también detectes desperfectos en el embalaje también será necesario que nos remitas las fotografías correspondientes.

- Una vez la reclamación/devolución sea aceptada por RS Barcelona, nos pondremos en contacto contigo para proceder a la recogida/reposición del producto.
- El producto no debe estar usado.
- El producto debe devolverse en el mismo estado en el que se te envió y en su embalaje original. Si el embalaje original no está disponible, te enviaremos uno nuevo con el correspondiente coste que deberás abonar.

NO se aceptan devoluciones de productos fabricados con madera natural. Al tratarse de un material natural, la madera puede variar de color o incluso agrietarse a causa de la humedad y los cambios bruscos de temperatura. Para preservar el buen estado de la madera, sigue las instrucciones de mantenimiento del fabricante.

Transcurridos 5 días desde la recepción del producto NO se aceptarán reclamaciones por producto defectuoso o piezas extraviadas.

